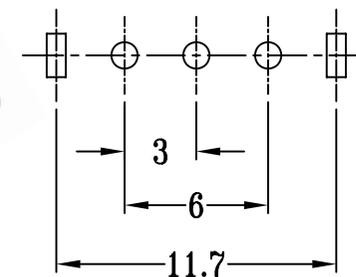
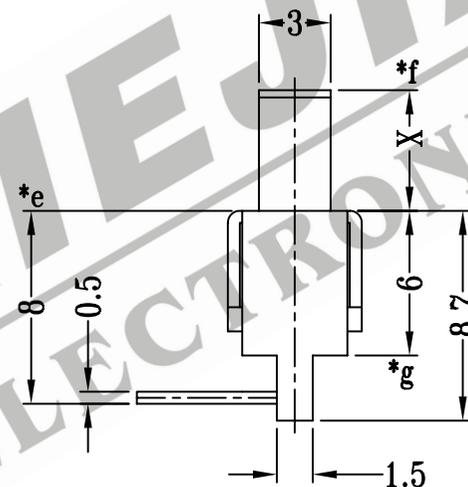
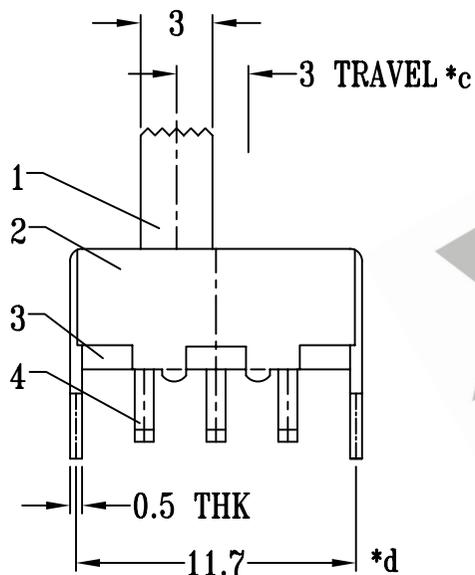
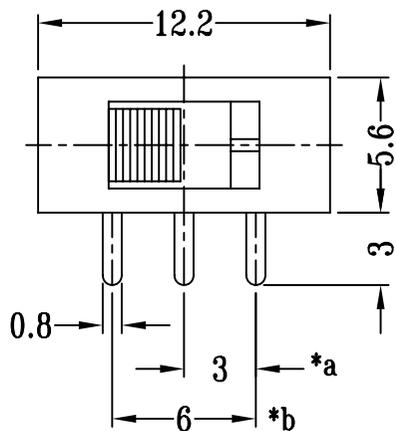
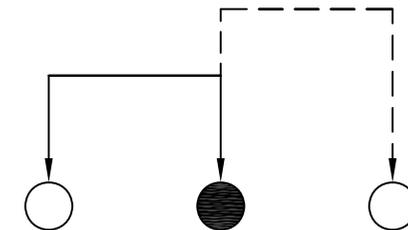


CAD FILE:



P.C.B LAYOUT



SCHEMATIC (NON-SHORTING)

注:带"*"表示关键尺寸(7个)

NO.	PARTS	MATERIALS	Q'TY	FINISH	TOLERANCE UNLESS SPECIFIED	SHENZHEN XIEJIA ELECTRONICS CO.,LTD.			
8						TITLE : VERTICAL SLIDE SWITCH MODEL: SS-12F81 ALL MATERIALS MUST BE COMPLIANT TO ROHS			
7									
6	SPRING	STEEL WIRE	1	TEMPER	WITHIN: 1.5±0.1mm OVER : 1.5±0.2mm	UNIT : mm DRWG NO.: XJ-DR-SS12F81-00			
5	CONTACT CLIP	COPPER STRIP	1	Ag PLATED		DWN.	ZHOUYU	2001-5-26	
4	TERMINAL	BRASS STRIP	3	Ag PLATED OVER Ni PLATED		CHK'D	FANGYING	2001-5-26	
3	BASE	PHENOLIC RESIN	1	NATURAL		APPD.	KANGXINAN	2001-5-26	
2	FRAME	STEEL STRIP	1	Ni PLATED					
1	KNOB	POM	1	BLACK					